

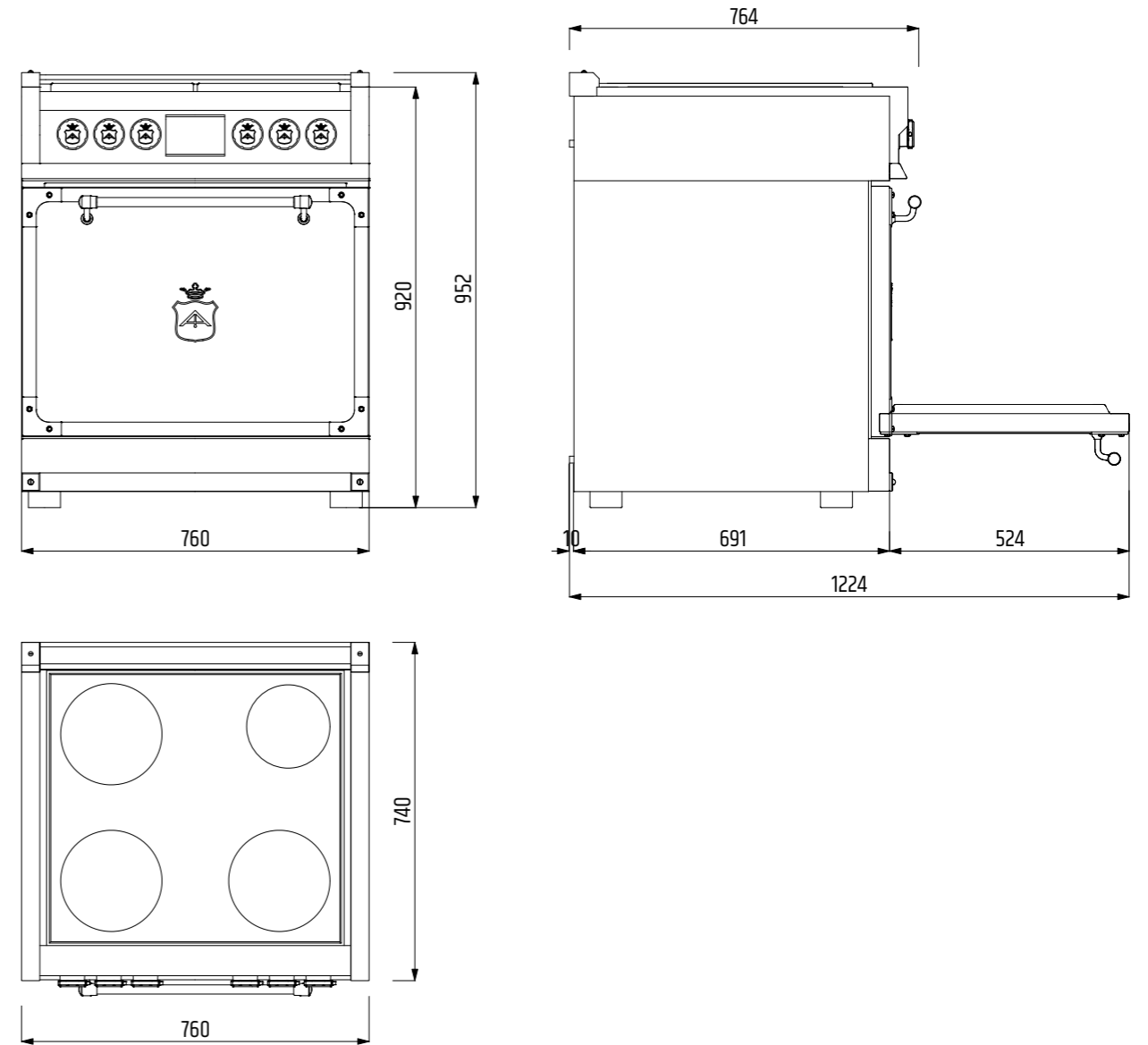
# FIorentina 75

INDUZIONE - PORTA FORNO CIECA  
INDUCTION - BLIND OVEN DOOR



# OGS304IC

DISEGNI TECNICI  
TECHNICAL DRAWINGS



CONTROL PANEL	
Control Type	6 Heavy Duty Knobs
Oven Programming	Electronic with 6 touch keys
Display: clock/temperature/function	White led

COOKTOP	
Type	Induction
Cooking Surface	Ceramic Glass

INDUCTION COOKTOP FEATURES			
Cutting-edge technology for high level performance	4 induction cooking zones	Booster for each cooking zone	
Reheat and low temperature functions	Surface in glass ceramic	ON/OFF indicators and residual heat (H) indicators	
Burners types (Front-L) -Power (max/booster)	Inductor 230 mm - 2300 W / 3700 W		
Burners types (Rear-L) -Power (max/booster)	Inductor 165 mm - 1400 W / 2200 W		
Burners types (Front-R) -Power (max/booster)	Inductor 200 mm - 1850 W / 3000 W		
Burners types (Rear-R) -Power (max/booster)	Inductor 200 mm - 1850 W / 3000 W		
INDUCTION COOKTOP functions			
Residual heat	Melting	Warming	
Cookware recognition	Automatic Heat Up time	Booster	
Control lock			

OVEN		
Type	Electric self-clean - dual convection (true euro conv.)	
Temperature regulation	Electronic control (min/max 170/550°F - 75/290°C)	
OVEN FEATURES		
Dual True convection	6 Digit touch control: digital timer and knobs	Cool touch (< 50°C) with soft closing door
Black porcelain enamel interior	2 chromed racks	1 enamel tray with anti-splash insert
1 Fully retractable telescopic rack	PYROLYSIS Self-cleaning	Internal lighting with 3 light sources
OVEN FUNCTIONS		
Proof	Bake	Convection bake
Defrost	Dehydrate	Broil
Convection Roast	Convection broil	Pizza
OVEN DOOR(S)		
Door hinges - soft-closing system	Heavy duty steady tilt	
Handle style	Brass tube, brass endcaps	

OVEN CAVITY	
Capacity	124 lt
Cavity enamel colour	black
Rack positions	6
Oven lights	3x20W halogen
HEATING ELEMENTS (@230V)	
Broil upper heating element	3500 W
Upper auxiliary element	1032 W
Concealed bake lower heating element	3000 W
Convection element	2 x 1300 W
DIMENSIONS/WEIGHT	
Overall dim - width	760 mm
Overall dim - height (min-max)	920 mm - 952 mm
Overall dim - depth	764 mm
Gross weight	141 kg
POWER/RATINGS (230V, 50HZ)	
	3.84 Kw / 3.54 Kw
Power cable	Schuko
INSTRUCTIONS FOR USE	
Use & Care manual / Installation manual	italian/english

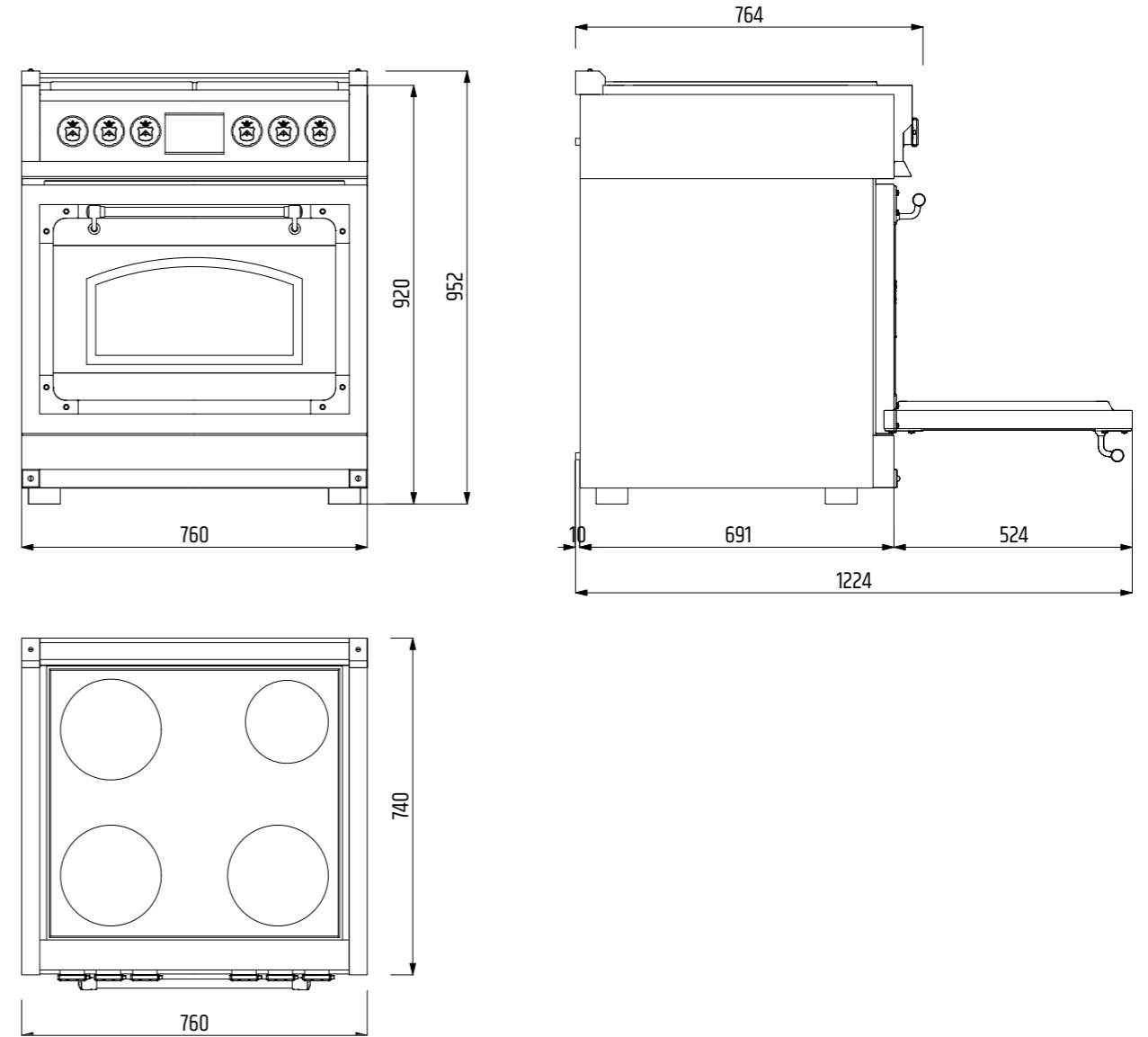
# FIorentina 75

INDUZIONE - PORTA FORNO VETRO  
INDUCTION - GLASS OVEN DOOR



# OGG304IC

DISEGNI TECNICI  
TECHNICAL DRAWINGS



CONTROL PANEL	
Control Type	6 Heavy Duty Knobs
Oven Programming	Electronic with 6 touch keys
Display: clock/temperature/function	White led

COOKTOP	
Type	Induction
Cooking Surface	Ceramic Glass

INDUCTION COOKTOP FEATURES			
Cutting-edge technology for high level performance	4 induction cooking zones	Booster for each cooking zone	
Reheat and low temperature functions	Surface in glass ceramic	ON/OFF indicators and residual heat (H) indicators	
Burners types (Front-L) -Power (max/booster)	Inductor 230 mm - 2300 W / 3700 W		
Burners types (Rear-L) -Power (max/booster)	Inductor 165 mm - 1400 W / 2200 W		
Burners types (Front-R) -Power (max/booster)	Inductor 200 mm - 1850 W / 3000 W		
Burners types (Rear-R) -Power (max/booster)	Inductor 200 mm - 1850 W / 3000 W		
INDUCTION COOKTOP functions			
Residual heat	Melting	Warming	
Cookware recognition	Automatic Heat Up time	Booster	
Control lock			

OVEN		
Type	Electric self-clean - dual convection (true euro conv.)	
Temperature regulation	Electronic control (min/max 170/550°F - 75/290°C)	
OVEN FEATURES		
Dual True convection	6 Digit touch control: digital timer and knobs	Cool touch (< 50°C) with soft closing door
Black porcelain enamel interior	2 chromed racks	1 enamel tray with anti-splash insert
1 Fully retractable telescopic rack	PYROLYSIS Self-cleaning	Internal lighting with 3 light sources
OVEN FUNCTIONS		
Proof	Bake	Convection bake
Defrost	Dehydrate	Broil
Convection Roast	Convection broil	Pizza
OVEN DOOR(S)		
Oven glass window	Deep embossed extra wide window	
Door cooling system	4 heat resistant glasses	
Door hinges - soft-closing system	Heavy duty steady tilt	
Handle style	Brass tube, brass endcaps	

OVEN CAVITY	
Capacity	124 lt
Cavity enamel colour	black
Rack positions	6
Oven lights	3x20W halogen
HEATING ELEMENTS (@230V)	
Broil upper heating element	3500 W
Upper auxiliary element	1032 W
Concealed bake lower heating element	3000 W
Convection element	2 x 1300 W
DIMENSIONS/WEIGHT	
Overall dim - width	760 mm
Overall dim - height (min-max)	920 mm - 952 mm
Overall dim - depth	764 mm
Gross weight	141 kg
POWER/RATINGS (230V, 50HZ)	
	3.84 Kw / 3.54 Kw
Power cable	Schuko
INSTRUCTIONS FOR USE	
Use & Care manual / Installation manual	italian/english